

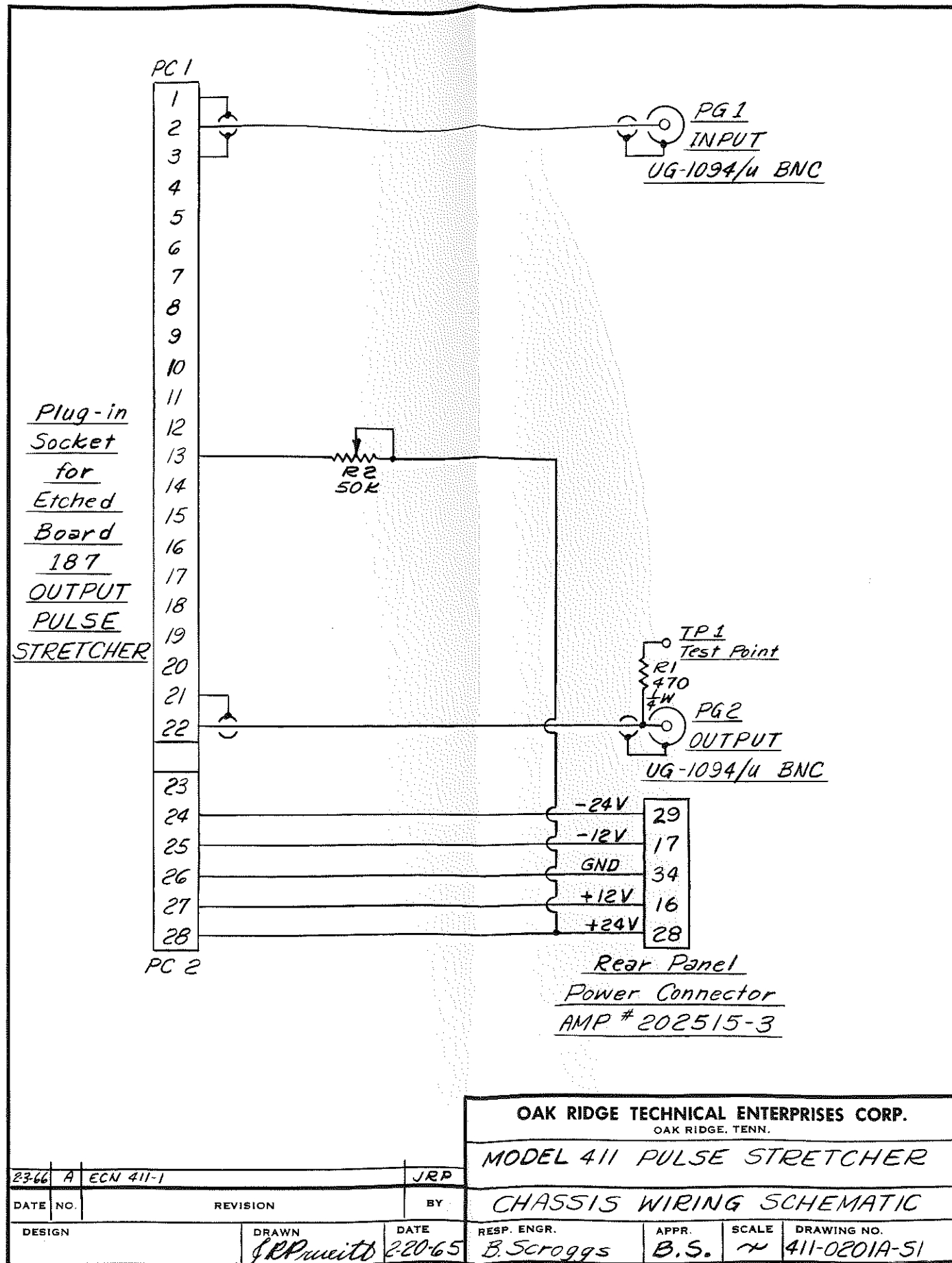
- NOTES:
1. Braid = Alpha #1229,  $\frac{1}{8}$ " wide flat braid soldered to ground.
  2. Resistors =  $\frac{1}{4}$ W,  $\pm 5\%$  carbon comp. unless otherwise noted.
  3. Resistors marked (\*)  $\frac{1}{8}$ W,  $\pm 1\%$  MF (TO).
  4. Capacitors = 6.8uF, 35V Tantalum unless otherwise noted.
  5. Diodes = 1N4009
  6. For Model 411 application: Omit R16 (68K) to +24V; R14 to be 1.5K.

C1-C27  
D1-D13  
Q1-Q17  
R1-R53

OAK RIDGE TECHNICAL ENTERPRISES CORP.  
OAK RIDGE, TENN.  
OUTPUT PULSE STRETCHER

1-10-66	A	ECN 411-1	JRP
DATE	NO.	REVISION	BY
DESIGN	DRAWN J.R. Pruett		DATE 5-16-64
RESP. ENGR. R. Scroggs	APPR. B.S.	SCALE	DRAWING NO. 411-187-51

ay differ from those  
, necessary replace-  
the diagram or the



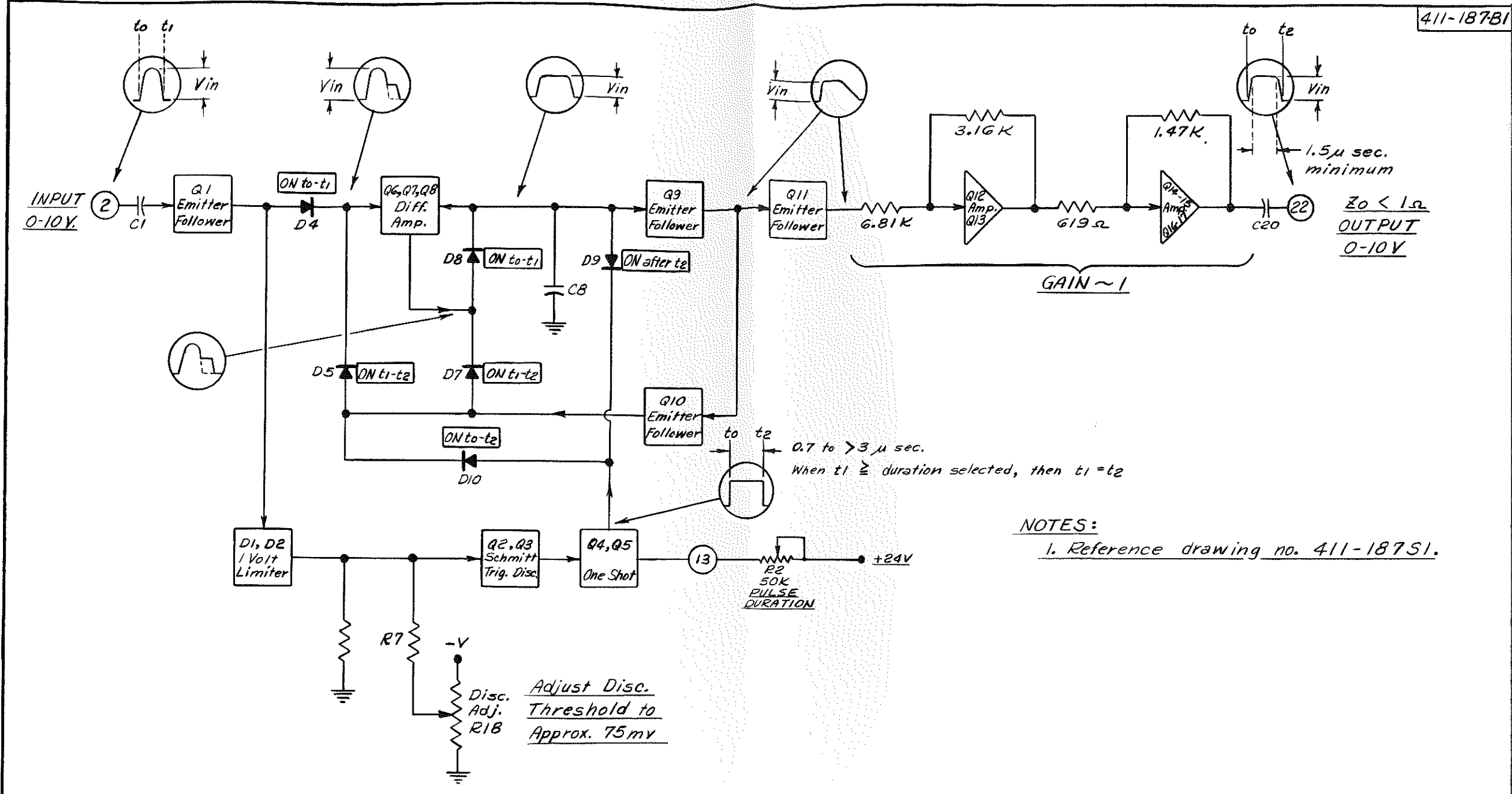
OAK RIDGE TECHNICAL ENTERPRISES CORP.  
OAK RIDGE, TENN.

MODEL 411 PULSE STRETCHER

CHASSIS WIRING SCHEMATIC

DESIGN	DRAWN JRP	DATE 2-20-65	RESP. ENGR. B. Scroggs	APPR. B.S.	SCALE ~	DRAWING NO. 411-0201A-51
--------	--------------	-----------------	---------------------------	---------------	------------	-----------------------------

2366	A	ECN 411-1	JRP
DATE	NO.	REVISION	BY



$Z_0 < 1\Omega$   
OUTPUT  
0-10V

NOTES:  
1. Reference drawing no. 411-187S1.

Adjust Disc. Threshold to Approx. 75mv

OAK RIDGE TECHNICAL ENTERPRISES CORP. OAK RIDGE, TENN.					
OUTPUT PULSE STRETCHER					
2-9-66 A	ECN 411-1		JRP		
DATE NO.		REVISION		BY	
DESIGN		DRAWN J.R. Prueitt	DATE 4-27-64	RESP. ENGR. R. Scroggs	APPR. B.S.
				SCALE ~	DRAWING NO. 411-187-B1