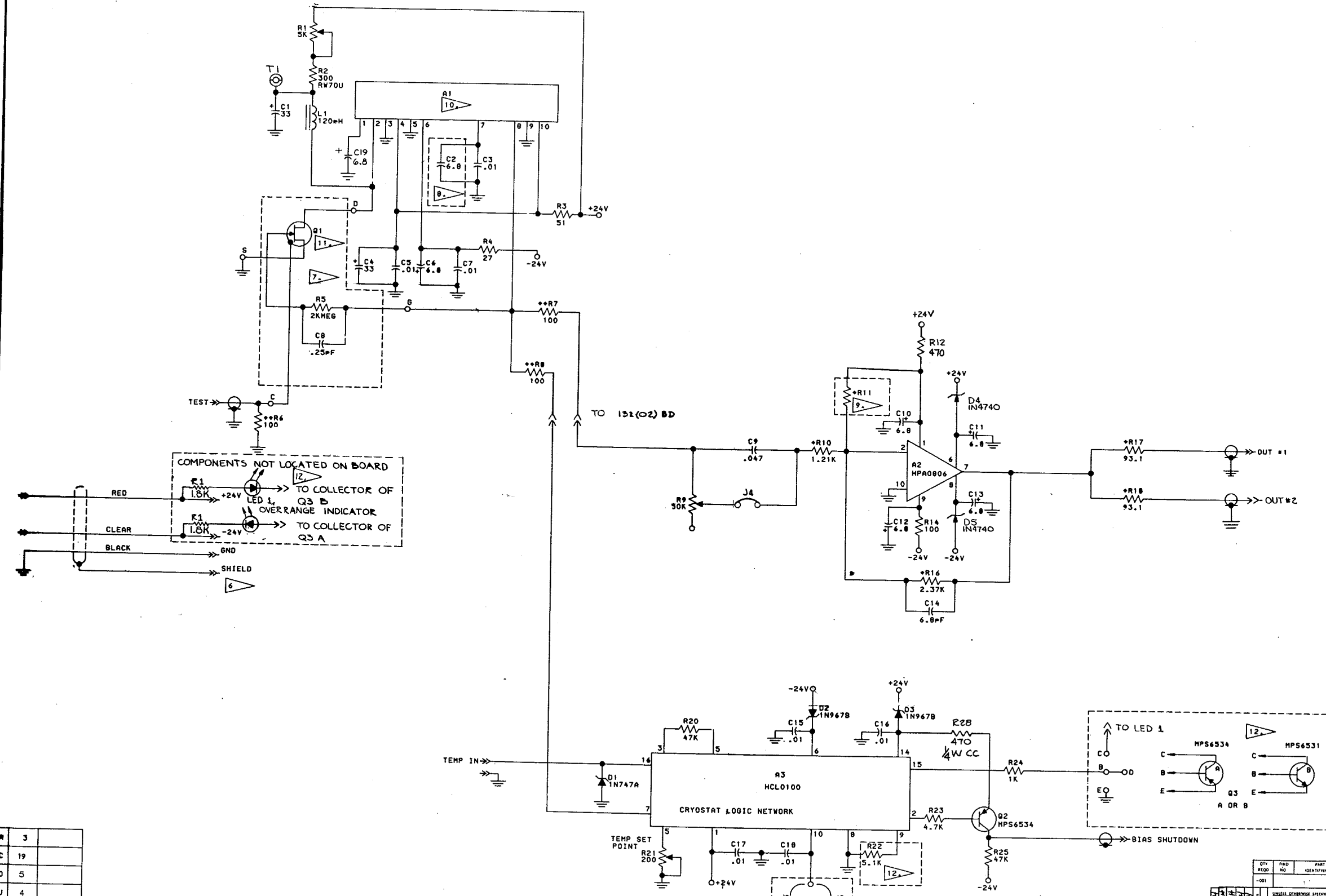


- NOTES UNLESS OTHERWISE SPECIFIED
1. ALL RESISTOR VALUES ARE IN OHMS.
 2. ALL RESISTORS ARE 1/8W CC.
 3. RESISTORS MARKED * ARE 1/8W MF.
 4. RESISTORS MARKED ** ARE 1/8W MF T-16 50ppm/°C.
 5. ALL CAPACITOR VALUES ARE IN MICROFARADS.
 6. SHIELD CONNECTED TO PIN 2 AT POWER CONNECTOR ONLY.
 7. COMPONENTS LOCATED IN DETECTOR CRYOSTAT.
 8. + TO GND FOR CP2-2
 9. - TO GND FOR CN2-2
 10. FOR CP2-TYPE 93.1K
 11. FOR CN2-TYPE 56.2K
 12. HPA0306 FOR CP2-2
 13. HPA0706 FOR CN2-2
 14. SELECTED FET.

- ▲ A.P./TYPE COAX ON BOARD OVERRANGE
INSTALL J3
INSTALL Q3B, MPS6531
CONNECT P LED TO +24V & INSTALL R1 1.0K IN SERIES WITH LED1.
- ▲ B.N./TYPE COAX ON BOARD OVERRANGE
INSTALL J2
INSTALL R22, 5.1K, BETWEEN PINS 8&9 OF A3, HCL0100
INSTALL Q3A, MPS6534
CONNECT N LED TO -24V & INSTALL R1 1.0K IN SERIES WITH LED1.
- ▲ C. Z1 AND LED1 ARE PART OF 137CME-B-C1 CABLE ASSY.



COMPONENTS NOT LOCATED ON BOARD

RED → TO COLLECTOR OF Q3 B
CLEAR → TO COLLECTOR OF Q3 A
BLACK → GND
SHIELD → SHIELD

R	3	
C	19	
D	5	
J	4	
L	1	
Q	3	
R	20	19,13,15,21
TP	1	
REF DES	LAST#	NOT USED

QTY	FIG	PART OR IDENTIFYING NUMBER	NOMENCLATURE OR DESCRIPTION	REMARKS
PARTS LIST				
100 MIDLAND ROAD, OAK RIDGE, TENNESSEE-37830 MODEL 137 CN2-2/CP2-2 DIAG, SCHEM, PREAMP 475250 635010				