

38B57/1.5M-E1-X (GR135)

Description : GR135 NaI(Tl) detector Exploranium SAIC. Custom designed scintillation detector

Scintillation crystal : NaI(Tl); 38x57 mm

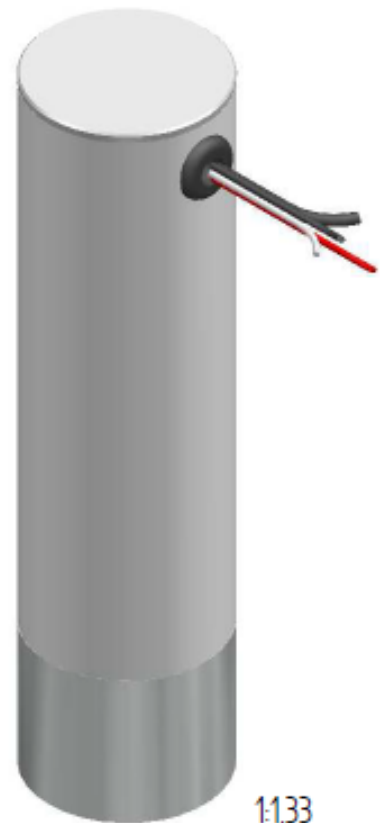
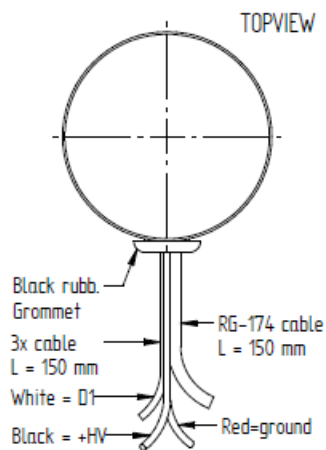
Photomultiplier tube : Hamamatsu R11102

Drawing : VS-0366

High voltage : Approx. +600 V

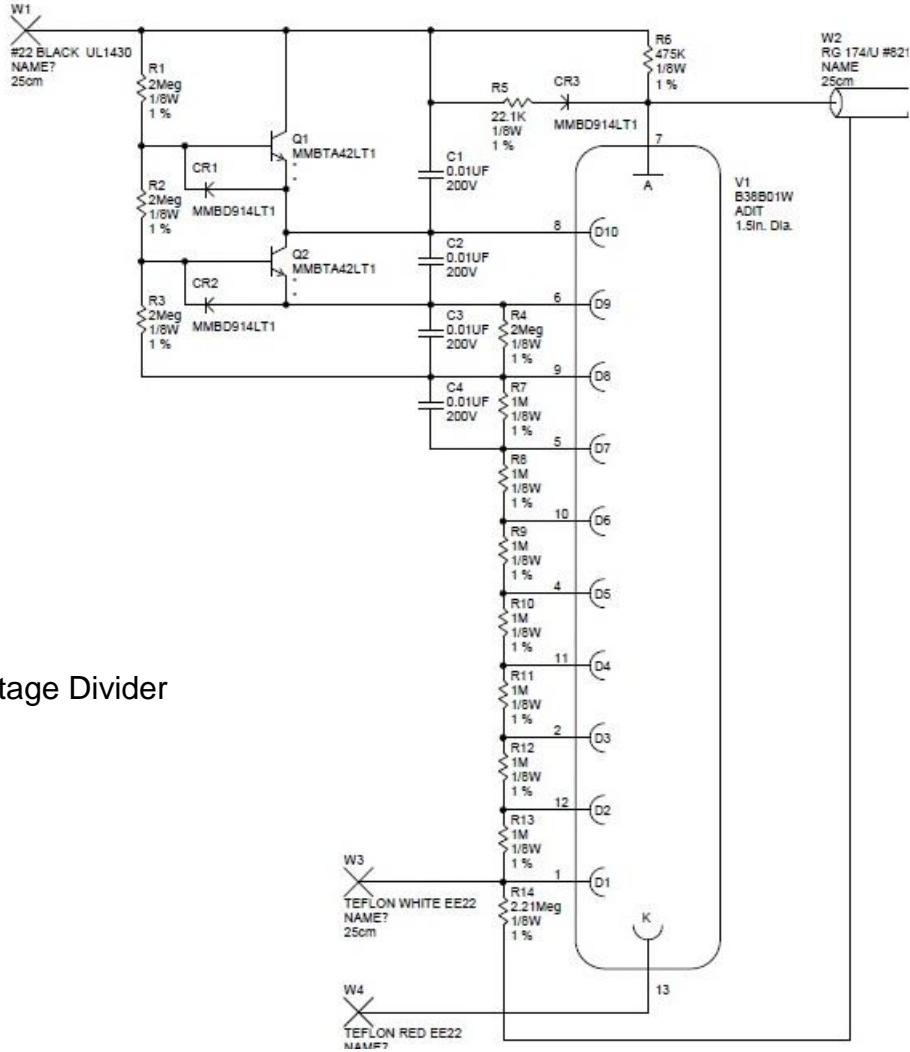
Voltage divider : Built-in

Connections : Coax RG 174 (signal)
Red = Mass
White = switch
Black = +HV



Cable length : 150 mm

Energy resolution : < 7.5% FWHM @ 662keV



Voltage Divider

Last revision: 15 april 2018
 Revision number:
 Document Name: 38B57_1.5M-E1-X

Scionix Holland B.V.

**P.O. Box 143
 3980 CC Bunnik
 The Netherlands**

Tel: + 31 30 657 03 12
 Fax: +31 30 656 75 63
 Website: www.scionix.nl
 E-mail: sales@scionix.nl